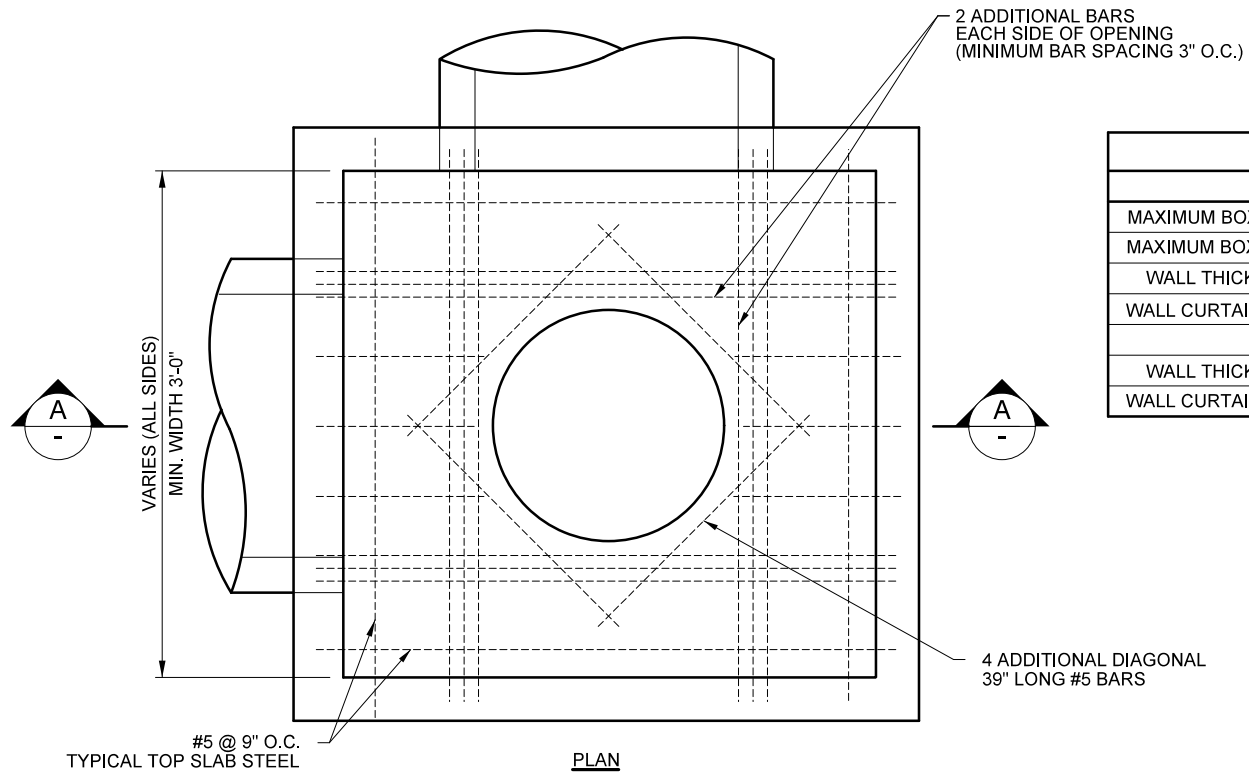


7/15/2015 9:31:55 AM H:\ENGDIV\PROJECTS\00 - Project Name Project #\CAD\Drawings\Plan Set\WVC 331 - Cleanout Box.dwg

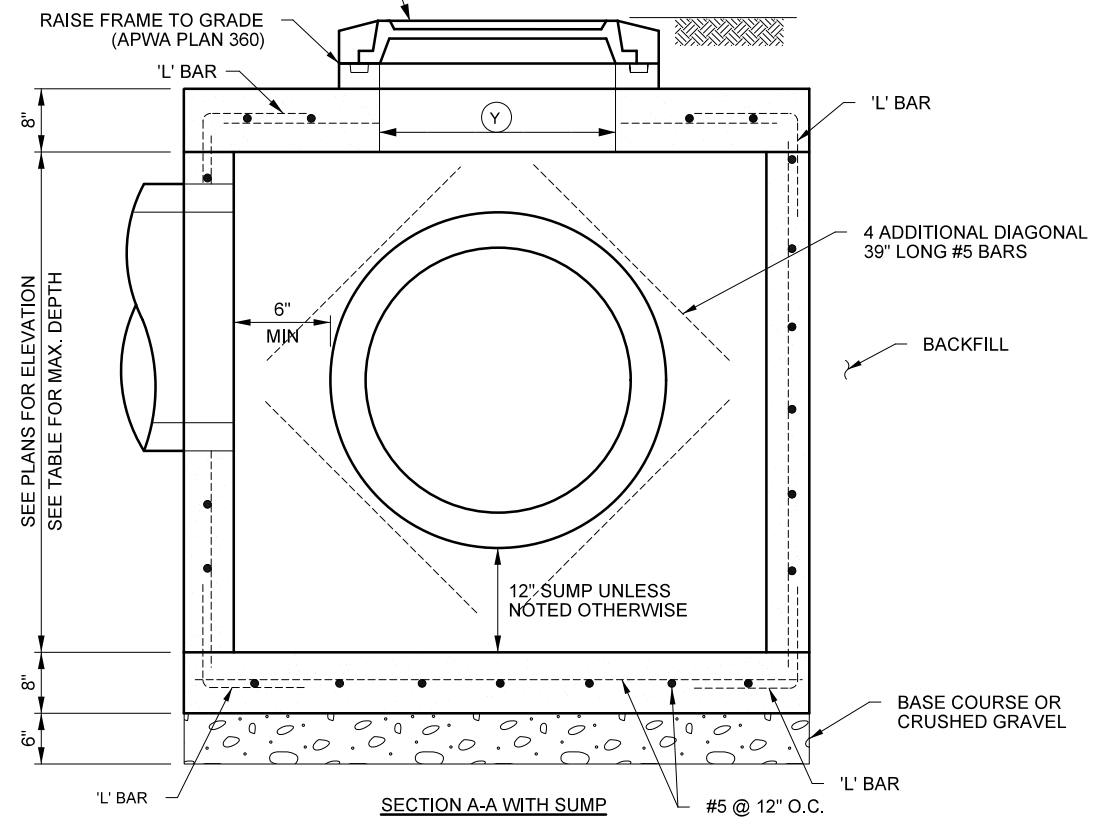
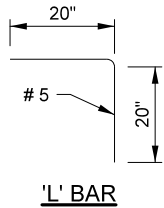
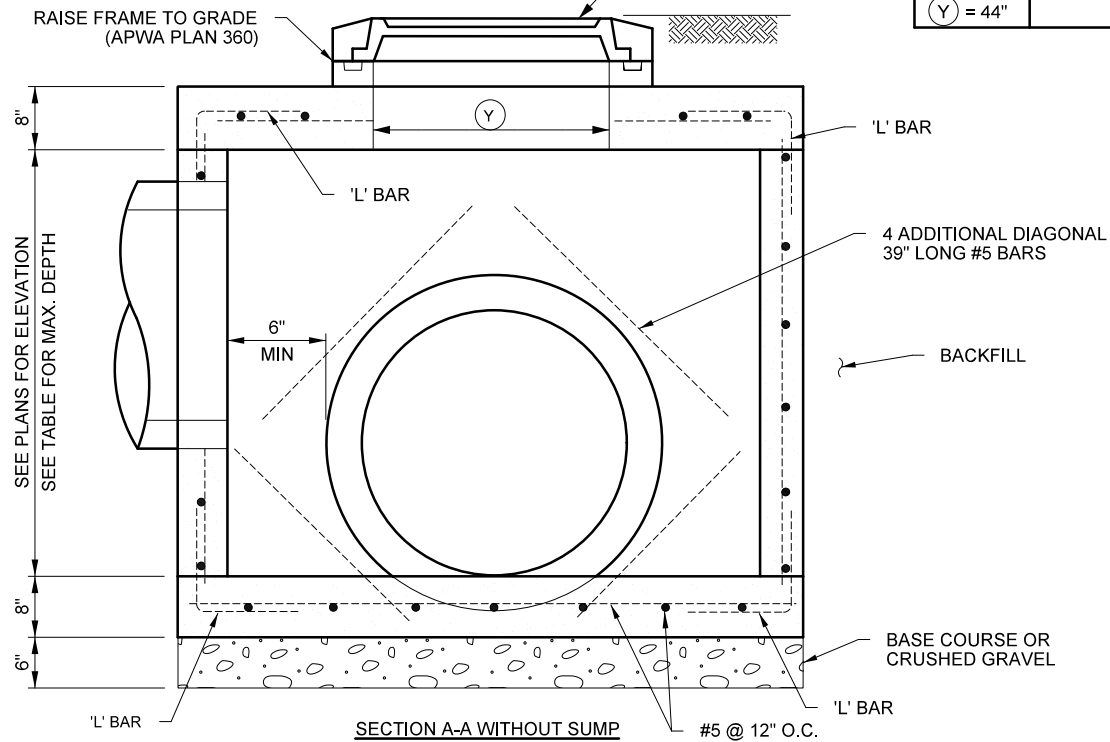


WALL THICKNESS AND WALL STEEL				
LOW WATER TABLE				
MAXIMUM BOX WIDTH	6 FEET	8 FEET	8 FEET	9 FEET
MAXIMUM BOX DEPTH	5 FEET	8 FEET	12 FEET	12 FEET
WALL THICKNESS	8 INCHES	8 INCHES	12 INCHES	12 INCHES
WALL CURTAIN STEEL	#5 @ 12"	#5 @ 6"	#5 @ 6"	#7 @ 9"
MODIFICATIONS FOR HIGH WATER TABLE				
WALL THICKNESS	8 INCHES	10 INCHES	16 INCHES	12 INCHES
WALL CURTAIN STEEL	#5 @ 9"	#5 @ 6"	#5 @ 6"	#6 @ 6"

**NOTES:**

- GENERAL**
  - A. THE DRAWING SHOWS TYPICAL PIPE CONNECTIONS. REFER TO CONSTRUCTION DRAWINGS FOR CONNECTION LOCATIONS OR REFER TO FIELD LOCATION OF EXISTING PIPING WHEN DETERMINING PIPE CONNECTION TO THE BOX.
- PRODUCTS**
  - A. BASE COURSE: UNTREATED BASE COURSE, APWA SECTION 32 11 23.
  - B. BACKFILL: COMMON FILL, APWA SECTION 31 05 13. MAXIMUM PARTICLE SIZE 2-INCHES.
  - C. CONCRETE: CLASS 4000, APWA SECTION 03 30 04.
  - D. REINFORCEMENT: DEFORMED, 60 ksi YIELD GRADE STEEL, ASTM A 615.
  - E. STABILIZATION-SEPARATION GEOTEXTILE: HIGH MARV. WOVEN OR NON-WOVEN, APWA SECTION 31 05 19.
- EXECUTION**
  - A. FOUNDATION STABILIZATION: GET ENGINEER'S PERMISSION TO USE A SEWER ROCK OR A SEWER ROCK IN A GEOTEXTILE WRAP TO STABILIZE AN UNSTABLE FOUNDATION.
  - B. BASE COURSE PLACEMENT: APWA SECTION 32 11 23. MAXIMUM LIFT THICKNESS IS 8-INCHES BEFORE COMPACTION. COMPACTION IS 95 PERCENT OR GREATER RELATIVE TO A MODIFIED PROCTOR DENSITY, APWA SECTION 31 23 26.
  - C. REINFORCEMENT: CENTER STEEL IN WALLS AND SLABS WITH A MINIMUM COVER OF 2-INCHES. KEEP STEEL 2-INCHES CLEAR AROUND PIPE AND LID OPENING. TIE-BARS REQUIRED AT ALL CORNERS, VERTICAL AND HORIZONTAL. TIE-BARS CONNECTING TWO WALLS MUST MATCH WALL BAR SIZE AND SPACING. TIE-BARS CONNECTING WALLS TO TOP AND BOTTOM SLABS MUST MATCH SLAB STEEL SIZE SPACING.
  - D. CONCRETE PLACEMENT: APWA SECTION 03 30 10. ADJUST CONCRETE DIMENSIONS AT FRAME ACCORDINGLY. PROVIDE 1/2-INCH RADIUS EDGES. APPLY A BROOM FINISH. APPLY A CURING AGENT.
  - E. BACKFILL: PROVIDE BACKFILL AGAINST ALL OF THE BOX WALLS. PEA GRAVEL AND RECYCLED RAP AGGREGATE IS NOT ALLOWED. WATER JETTING IS NOT ALLOWED. MAXIMUM LIFT THICKNESS IS 8-INCHES BEFORE COMPACTION. COMPACTION IS 95 PERCENT OR GREATER RELATIVE TO A STANDARD PROCTOR DENSITY, APWA SECTION 31 23 26.

DIMENSION	LARGEST PIPE DIAMETER	BOX DEPTH	SEE APWA PLAN NO.
Y = 30"	≤ 30"		302
Y = 44"	> 30"		303
Y = 30"		< 8'	302
Y = 44"		> 8'	303



WEST VALLEY CITY PUBLIC WORKS DEPARTMENT		DESIGN	CHECK	DRAWN	CHECK
ENGINEERING DIVISION					
3600 CONSTITUTION BOULEVARD					
WEST VALLEY CITY, UTAH 84119-3720					
DATE 7/15/2015					
DESIGN PROFESSIONAL ENGINEER					
WVC STANDARD DRAWING					
CLEANOUT BOX					
WVC STD. DWG. NO. WVC 331					