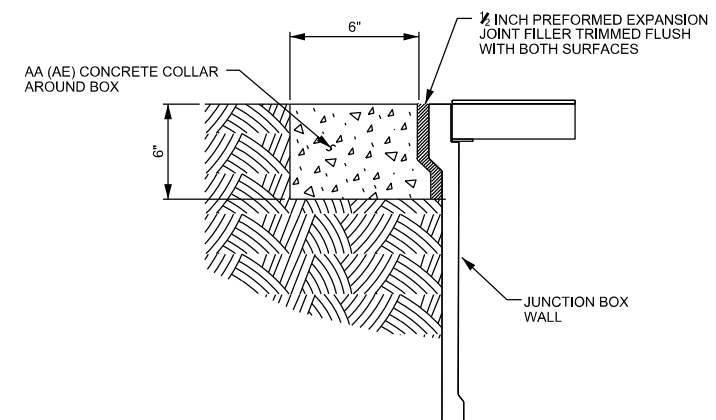
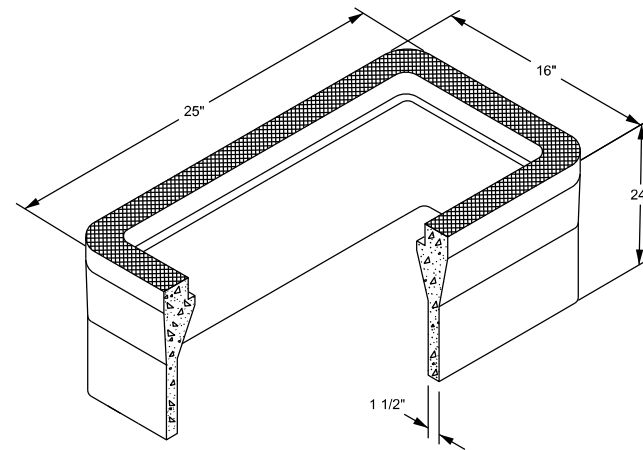
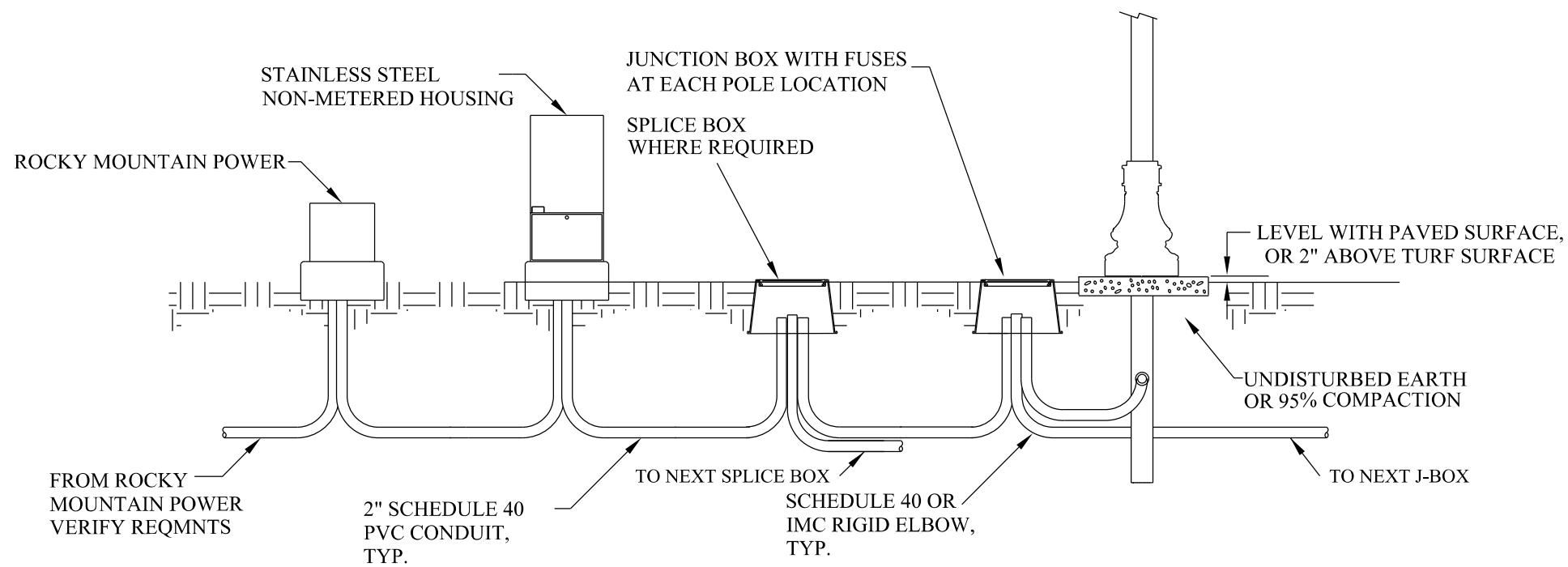


DETAIL - POLYMER-CONCRETE JUNCTION BOX
SCALE: NO SCALE



DETAIL - JUNCTION BOX CONCRETE COLLAR
SCALE: NO SCALE



DETAIL - STREET LIGHT UNDERGROUND
SCALE: NO SCALE

DESIGN		CHECK		DRAWN		CHECK	
WEST VALLEY CITY PUBLIC WORKS DEPARTMENT		TRANSPORTATION DIVISION		3600 CONSTITUTION BOULEVARD		WEST VALLEY CITY, UTAH 84119-3720	
STANDARD DRAWING		STREET LIGHT DETAILS		PROJECT NUMBER		WVC STREET LIGHTING	
DESIGN		ERIK BRONDUM		DATE		7/6/11	
REVISIONS		DATE		NO		BY	