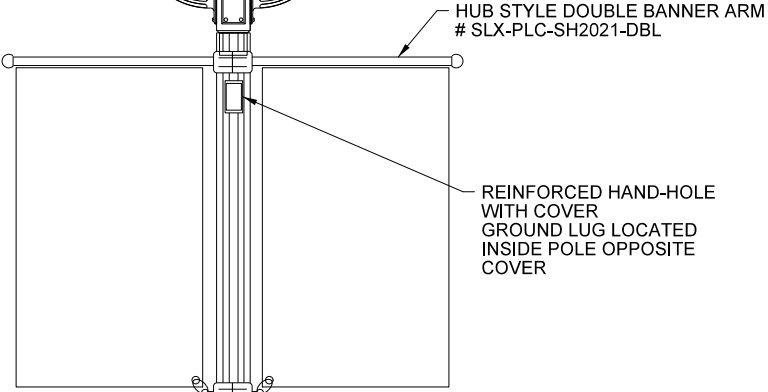
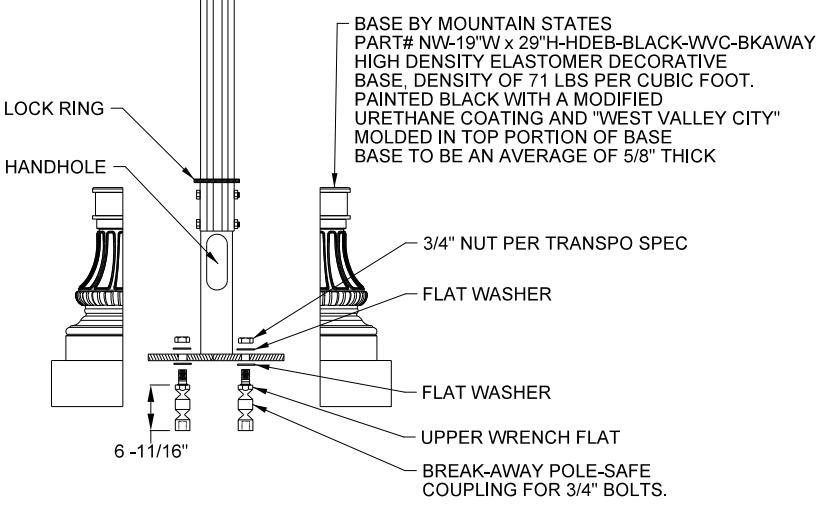
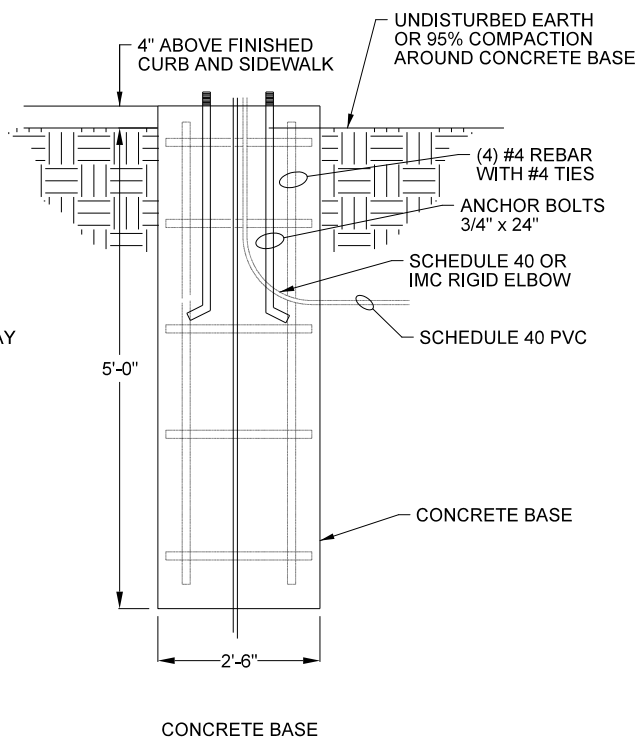



ANCHOR BASE DETAIL
12" BOLT CIRCLE
ANCHOR BOLTS: 3/4" x 24"



POLE BY MOUNTAIN STATES
16' EXTRUDED ALUMINUM
PAINTED WITH THE FIRST 16"
OF POLE & BASE PLATE TO BE COATED
WITH ZINC COLD GALVANIZING COMPOUND
HAND HOLE LOCATED BEHIND 2-PIECE BASE
COLOR: BLACK



SHEET NO. 4	STANDARD DRAWING	 <p>WEST VALLEY CITY PUBLIC WORKS DEPARTMENT TRANSPORTATION DIVISION 3600 CONSTITUTION BOULEVARD WEST VALLEY CITY, UTAH 84119-3720</p>	REMARKS	DATE	NO.	BY
	LP-04					
	3500 SOUTH STREET LIGHT					
	PROJECT NUMBER WVC STREET LIGHTING					
DESIGN	ERIK BRONDUM, P.E.	8/5/15	REVISIONS			